

PLEASE CHECK WWW.MOLEX.COM FOR LATEST PART INFORMATION

Part Number: [0877030001](#)
Status: **Active**
Overview: Serial ATA Combo Plugs and Receptacles
Description: 1.27mm (.050") Pitch Serial ATA Device Plug, 2.5" Drive, without Jumper, 22 Circuits, Tray Packaging, Lead-free

Documents:

[3D Model](#) [Product Specification PS-87703-017 \(PDF\)](#)
[Drawing \(PDF\)](#) [RoHS Certificate of Compliance \(PDF\)](#)

Agency Certification

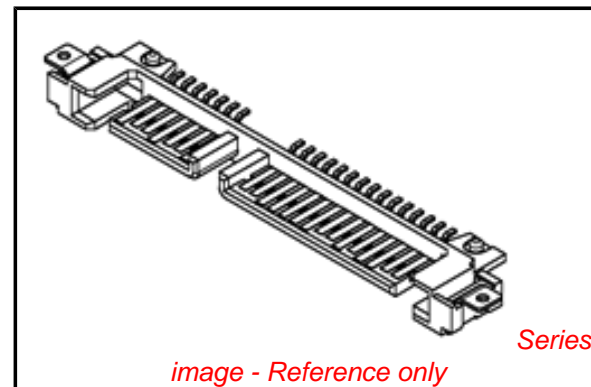
CSA LR19980
 UL E29179

General

Product Family PCB Headers
 Series [87703](#)
 Application Board-to-Board
 Overview [Serial ATA Combo Plugs and Receptacles](#)
 Product Literature Order No SNG-029
 Product Name Serial ATA

Physical

Breakaway No
 Circuits (Loaded) 22
 Circuits (maximum) 22
 Color - Resin Black
 Durability (mating cycles max) 500
 Flammability 94V-0
 Glow-Wire Compliant No
 Guide to Mating Part Yes
 Keying to Mating Part Yes
 Lock to Mating Part Yes
 Material - Metal Copper Alloy
 Material - Plating Mating Gold
 Material - Plating Termination Gold
 Material - Resin High Temperature Thermoplastic
 Number of Rows 1
 Orientation Right Angle
 PC Tail Length (in) 0.079 In
 PC Tail Length (mm) 2.00 mm
 PCB Locator Yes
 PCB Retention Yes
 PCB Thickness Recommended (in) 0.020 In
 PCB Thickness Recommended (mm) 0.50 mm
 Packaging Type Tray
 Pitch - Mating Interface (in) 0.050 In
 Pitch - Mating Interface (mm) 1.27 mm
 Plating min: Mating (µin) 5.08
 Plating min: Mating (µm) 0.127
 Plating min: Termination (µin) 5.08
 Plating min: Termination (µm) 0.127
 Polarized to Mating Part Yes
 Polarized to PCB Yes
 Shrouded Partial
 Stackable No



EU RoHS

ELV and RoHS Compliant
REACH SVHC Contains SVHC: No
Halogen-Free Status

China RoHS



Need more information on product environmental compliance?

Email productcompliance@molex.com
 For a multiple part number RoHS Certificate of Compliance, [click here](#)

Please visit the [Contact Us](#) section for any non-product compliance questions.

Search Parts in this Series

[87703Series](#)

Mates With

Combo Receptacle [87678](#). [87701](#). [87713](#).
[87779](#). [87780](#). [67492](#). [87781](#). [67489](#) Signal
 Cable Recptacle. [88755](#) Cable Assembly.

Temperature Range - Operating -40°C to +105°C
Termination Interface: Style Surface Mount

Electrical

Current - Maximum per Contact 1.5A
Voltage - Maximum 30V

Solder Process Data

Duration at Max. Process Temperature (seconds) 10
Lead-free Process Capability Reflow Capable (SMT only)
Max. Cycles at Max. Process Temperature 1
Process Temperature max. C 260

Material Info

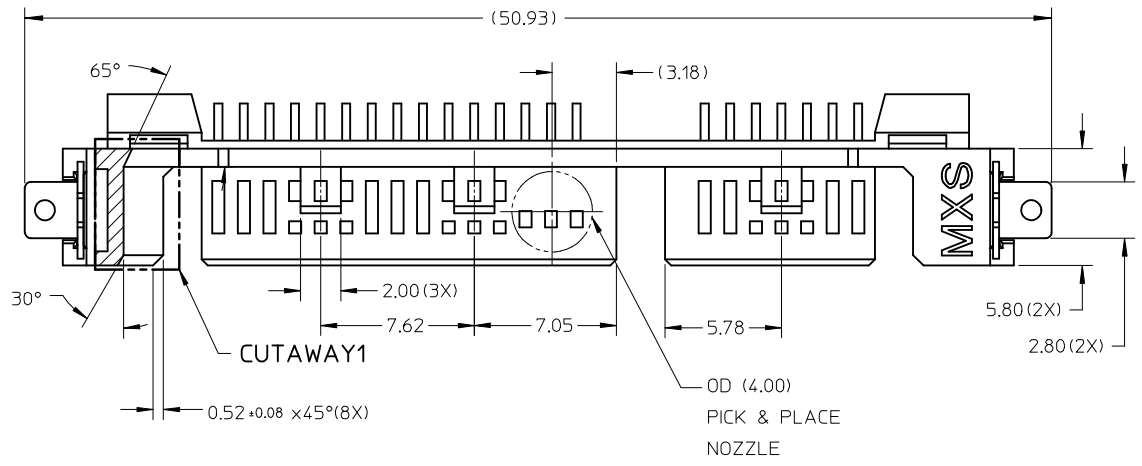
Reference - Drawing Numbers

Product Specification PS-87703-017, RPS-87703-059
Sales Drawing SD-87703-002

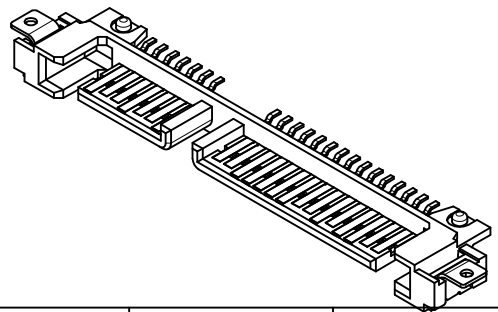
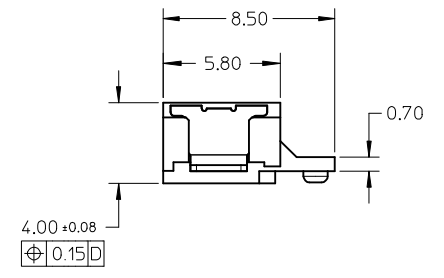
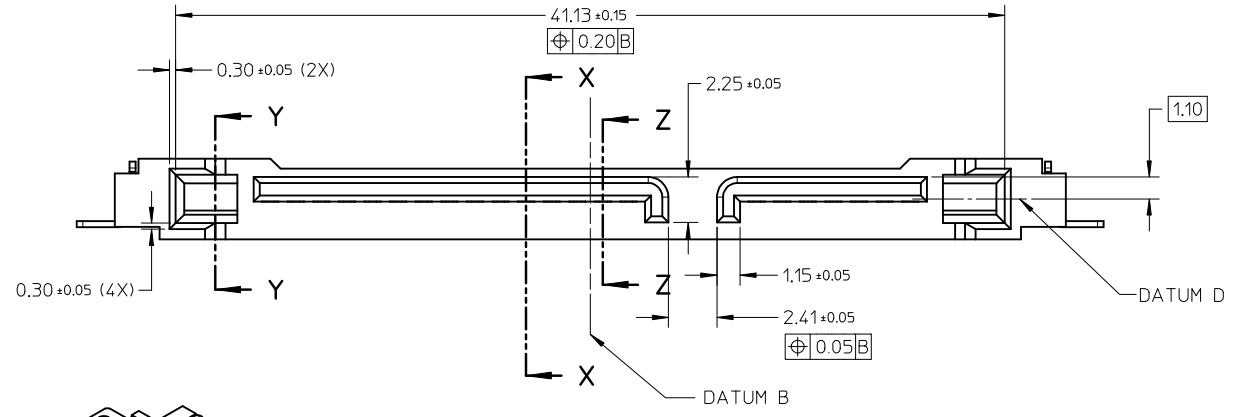
This document was generated on 05/25/2010

PLEASE CHECK WWW.MOLEX.COM FOR LATEST PART INFORMATION

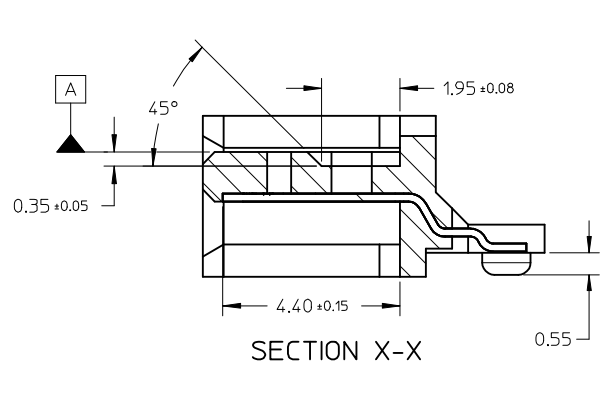
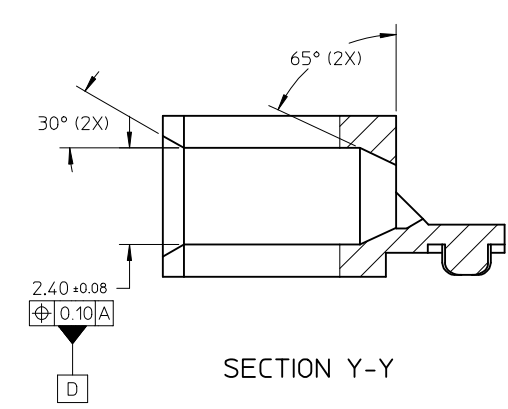
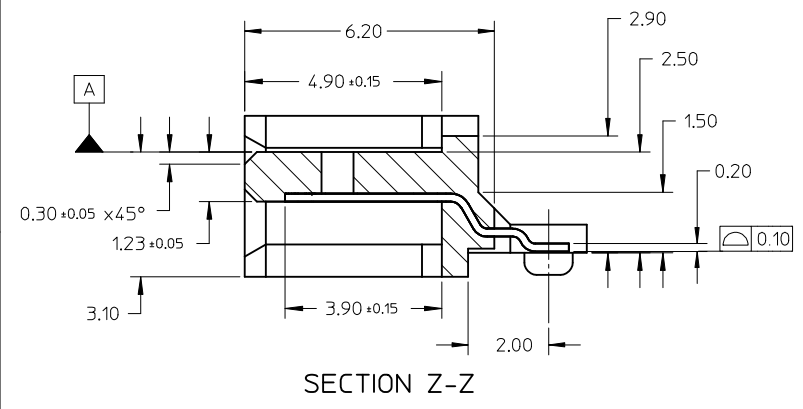
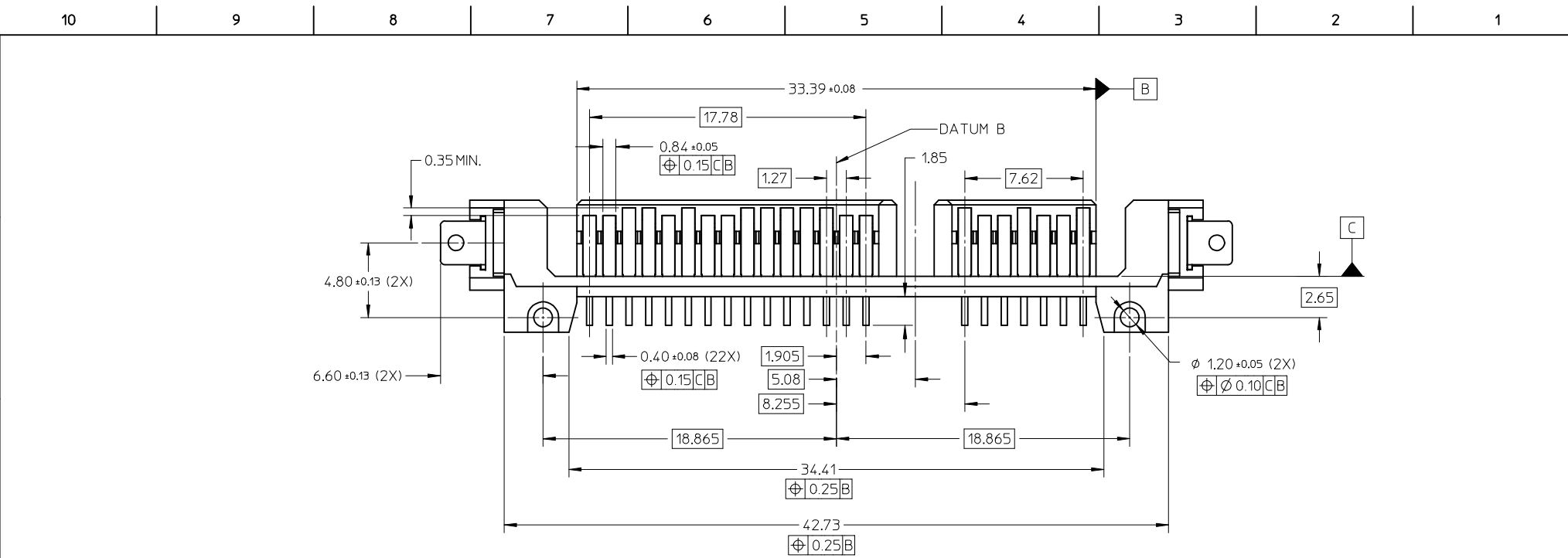
PART NUMBER	PACKAGING
87703-0001	TRAY
87703-0067	TAPE & REEL



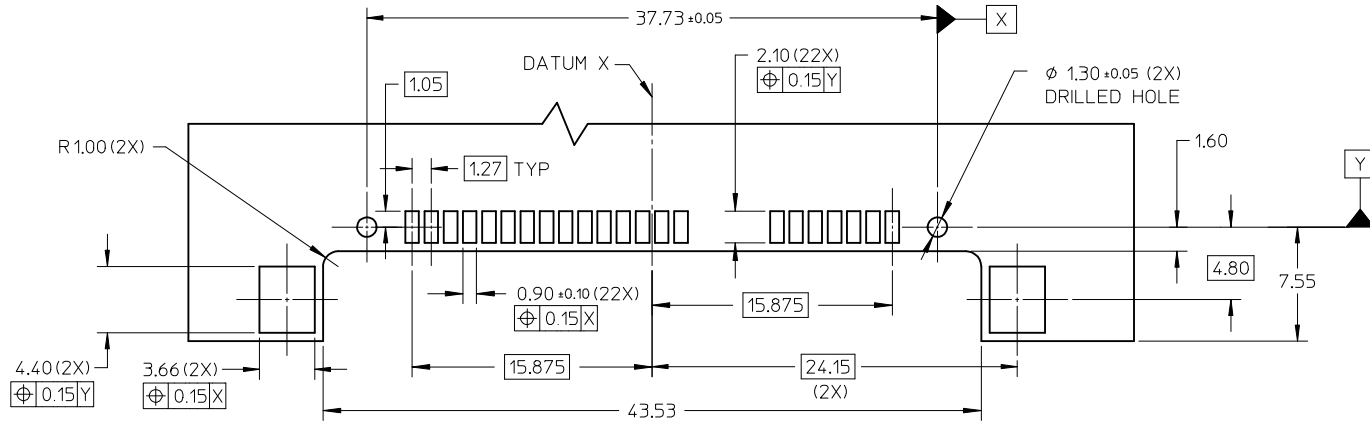
- NOTES:
- MATERIAL:
 - HOUSING: LIQUID CRYSTALLINE POLYMER (LCP), GLASS FILLED UL 94V-0, COLOR: BLACK
 - CONTACTS & SMT NAILS: COPPER ALLOY
 - PLATING FINISH ON CONTACTS AND SOLDER TAILS:
 - 0.127µm MIN. GOLD FLASH OVER 1.27µm MIN. NICKEL UNDERPLATE
 - PLATING FINISH ON SMT NAILS:
 - 3.18µm MIN. TIN OVER 1.27µm MIN. NICKEL UNDERPLATE
 - PRODUCT SPECIFICATION: PS-87703-017 APPLIES
 - PRODUCT CONFORMS TO SERIAL ATA SPECIFICATION.
 - PACKAGING: SEE TABLE
 - PRODUCT IS COMPLIANT TO RoHS DIRECTIVE WITH THE FOLLOWING BANNED SUBSTANCES - LEAD, MERCURY, CADMIUM, HEXAVALENT CHROMIUM, POLYBROMINATED BIPHENYLS AND POLYBROMINATED DIPHENYL ETHERS.
 - MATES WITH: SATA RECEPTACLE SERIES: 87678, 87701, 87713, 87779, 87780, 87781
SFF-8482 RECEPTACLE SERIES: 87824, 87839, 87863, 87970



UPDATE NOTE 6 EC NO: S2009-0846 DRW:KHLIM CHKD:CGOH APPR:BOKOK 2009/05/20 2009/05/20 2009/05/20	DESCRIPTION B6	QUALITY SYMBOLS	GENERAL TOLERANCES (UNLESS SPECIFIED)	DIMENSION STYLE	SCALE	DESIGN UNITS	THIRD ANGLE PROJECTION	
		▼=0 ◻=0	mm INCH 4 PLACES ± --- ± --- 3 PLACES ± --- ± --- 2 PLACES ± 0.20 ± --- 1 PLACE ± --- ± --- ANGULAR ± 3 °	MM ONLY	NTS	METRIC		
			DRAFT WHERE APPLICABLE MUST REMAIN WITHIN DIMENSIONS	DRAWN BY: RSHAN CHECKED BY: KCL ING APPROVED BY: SKTOH DATE: 2002/11/18 DATE: 2002/12/18 DATE: 2002/12/18	TITLE	SERIAL ATA PLUG 2.5 INCH HDD		
				MATERIAL NO. SEE TABLE	MOLEX INCORPORATED DOCUMENT NO. SD-87703-002	SHEET NO. 1 OF 4		



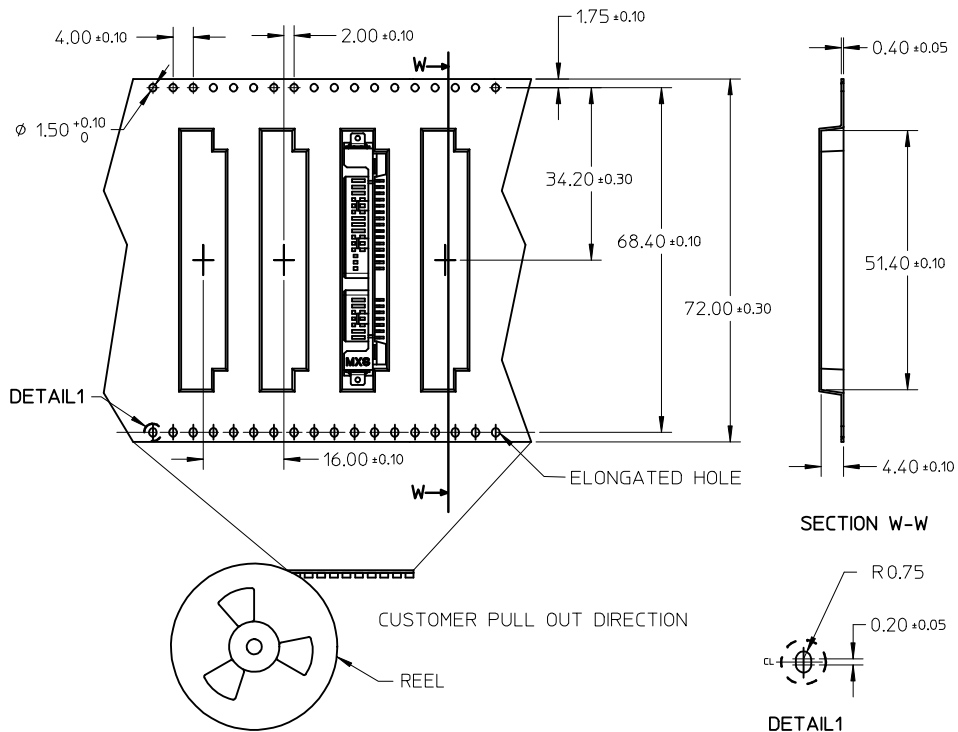
UPDATE NOTE 6 EC NO: S2009-0846 DRW:KHL IM CHKD:CGOH APPR:BOKOK	2009/05/20 2009/05/20 2009/05/20	QUALITY SYMBOLS ▽ = 0 ◻ = 0	GENERAL TOLERANCES (UNLESS SPECIFIED)		DIMENSION STYLE MM ONLY		SCALE NTS	DESIGN UNITS METRIC	THIRD ANGLE PROJECTION		
	DESCRIPTION B6	4 PLACES ± --- ± --- 3 PLACES ± --- ± --- 2 PLACES ± 0.20 ± --- 1 PLACE ± --- ± ---	mm INCH	DRAWN BY RSHAN	DATE 2002/11/18	TITLE SERIAL ATA PLUG 2.5 INCH HDD					
	REV	ANGULAR ± 3 °	DRAFT WHERE APPLICABLE MUST REMAIN WITHIN DIMENSIONS	CHECKED BY KCLING	DATE 2002/12/18	MOLEX INCORPORATED					
	MATERIAL NO. SKTOH	DATE 2002/12/18	SEE TABLE	DOCUMENT NO. SD-87703-002			SHEET NO. 2 OF 4				



RECOMMENDED PCB LAYOUT
PCB THICKNESS : 0.50±0.08

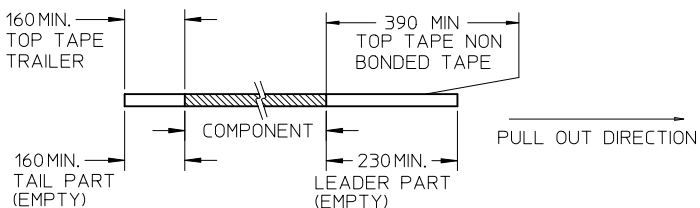
UPDATE NOTE 6 EC NO: S2009-0846 2009/05/20 DRW:KHLIM 2009/05/20 CHKD:CGOH 2009/05/20 APPR:BOKOK	QUALITY SYMBOLS	GENERAL TOLERANCES (UNLESS SPECIFIED)	DIMENSION STYLE	SCALE	DESIGN UNITS	THIRD ANGLE PROJECTION
	▽=0 ◻=0	mm INCH 4 PLACES ± --- ± --- 3 PLACES ± --- ± --- 2 PLACES ± 0.20 ± --- 1 PLACE ± --- ± --- ANGULAR ± 3 °	MM ONLY	NTS	METRIC	
	DESCRIPTION	DRAFT WHERE APPLICABLE MUST REMAIN WITHIN DIMENSIONS	DRAWN BY	DATE	TITLE	
	REV		RSHAN	2002/11/18	SERIAL ATA PLUG 2.5 INCH HDD	
B6			CHECKED BY	DATE	MOLEX INCORPORATED DOCUMENT NO. SD-87703-002 SHEET NO. 3 OF 4	
			KCLING	2002/12/18		
			APPROVED BY	DATE		
			SKTOH	2002/12/18		
			MATERIAL NO.	SEE TABLE		
			SIZE	THIS DRAWING CONTAINS INFORMATION THAT IS PROPRIETARY TO MOLEX INCORPORATED AND SHOULD NOT BE USED WITHOUT WRITTEN PERMISSION		
			A3			

TAPE & REEL PACKAGING

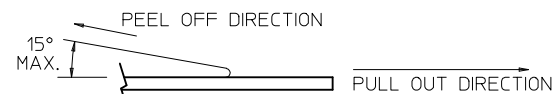


NOTES:

1. LEADER AND TRAILER TAPE

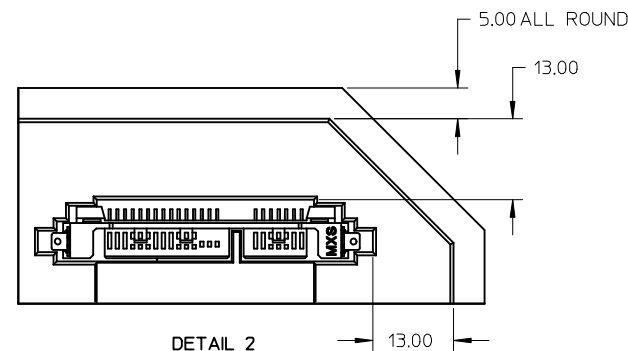
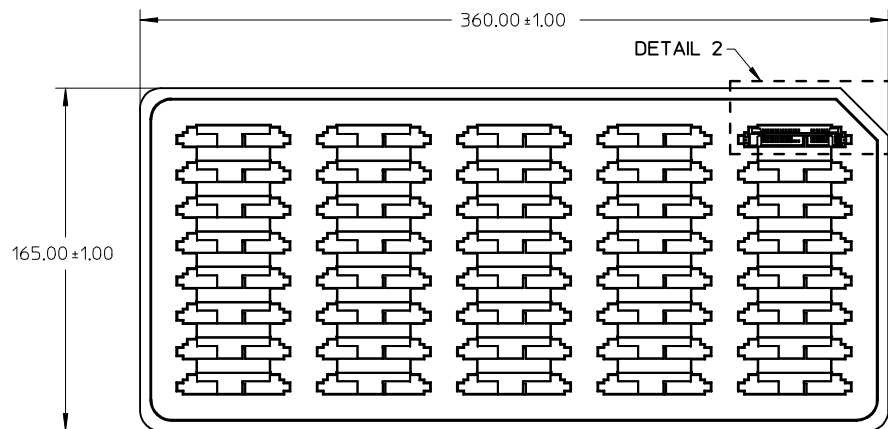


2. PEELING OFF FORCE OF THE TOP TAPE: 20 - 60gf. (PEELING DIRECTION AS SHOWN IN FOLLOWING FIGURE)



- 3. TAPE AND REEL SPECIFICATION IS AS PER EIA-481.
- 4. TAPE AND REEL QUANTITY : 850 PCS/ REEL.
- 5. THE TAPE IS TREATED FOR ANTI-STATIC.

TRAY PACKAGING



<p>UPDATE NOTE 6 EC NO: S2009-0846 DRW:KHLIM CHKD:CGOH APPR:BOKOK</p>	<p>2009/05/20 2009/05/20 2009/05/20</p>	<p>DESCRIPTION B6</p>	<p>QUALITY SYMBOLS ▽=0 ◻=0</p>	<p>GENERAL TOLERANCES (UNLESS SPECIFIED)</p>		<p>DIMENSION STYLE MM ONLY</p>	<p>SCALE NTS</p>	<p>DESIGN UNITS METRIC</p>	<p>THIRD ANGLE PROJECTION</p>														
				<table border="1"> <thead> <tr> <th></th> <th>mm</th> <th>INCH</th> </tr> </thead> <tbody> <tr> <td>4 PLACES</td> <td>± ---</td> <td>± ---</td> </tr> <tr> <td>3 PLACES</td> <td>± ---</td> <td>± ---</td> </tr> <tr> <td>2 PLACES</td> <td>± 0.20</td> <td>± ---</td> </tr> <tr> <td>1 PLACE</td> <td>± ---</td> <td>± ---</td> </tr> </tbody> </table>		mm	INCH	4 PLACES	± ---	± ---	3 PLACES	± ---	± ---	2 PLACES	± 0.20	± ---	1 PLACE	± ---	± ---	<p>ANGULAR ± 3 °</p>	<p>DRAWN BY RSHAN</p>	<p>DATE 2002/11/18</p>	<p>TITLE SERIAL ATA PLUG 2.5 INCH HDD</p>
					mm	INCH																	
				4 PLACES	± ---	± ---																	
3 PLACES	± ---	± ---																					
2 PLACES	± 0.20	± ---																					
1 PLACE	± ---	± ---																					
<p>DRAFT WHERE APPLICABLE MUST REMAIN WITHIN DIMENSIONS</p>	<p>SEE TABLE</p>	<p>CHECKED BY KCL ING</p>	<p>DATE 2002/12/18</p>	<p>APPROVED BY SKTOH</p>	<p>DATE 2002/12/18</p>	<p>MATERIAL NO. SEE TABLE</p>	<p>DOCUMENT NO. SD-87703-002</p>	<p>SHEET NO. 4 OF 4</p>															
<p>THIS DRAWING CONTAINS INFORMATION THAT IS PROPRIETARY TO MOLEX INCORPORATED AND SHOULD NOT BE USED WITHOUT WRITTEN PERMISSION</p>																							